

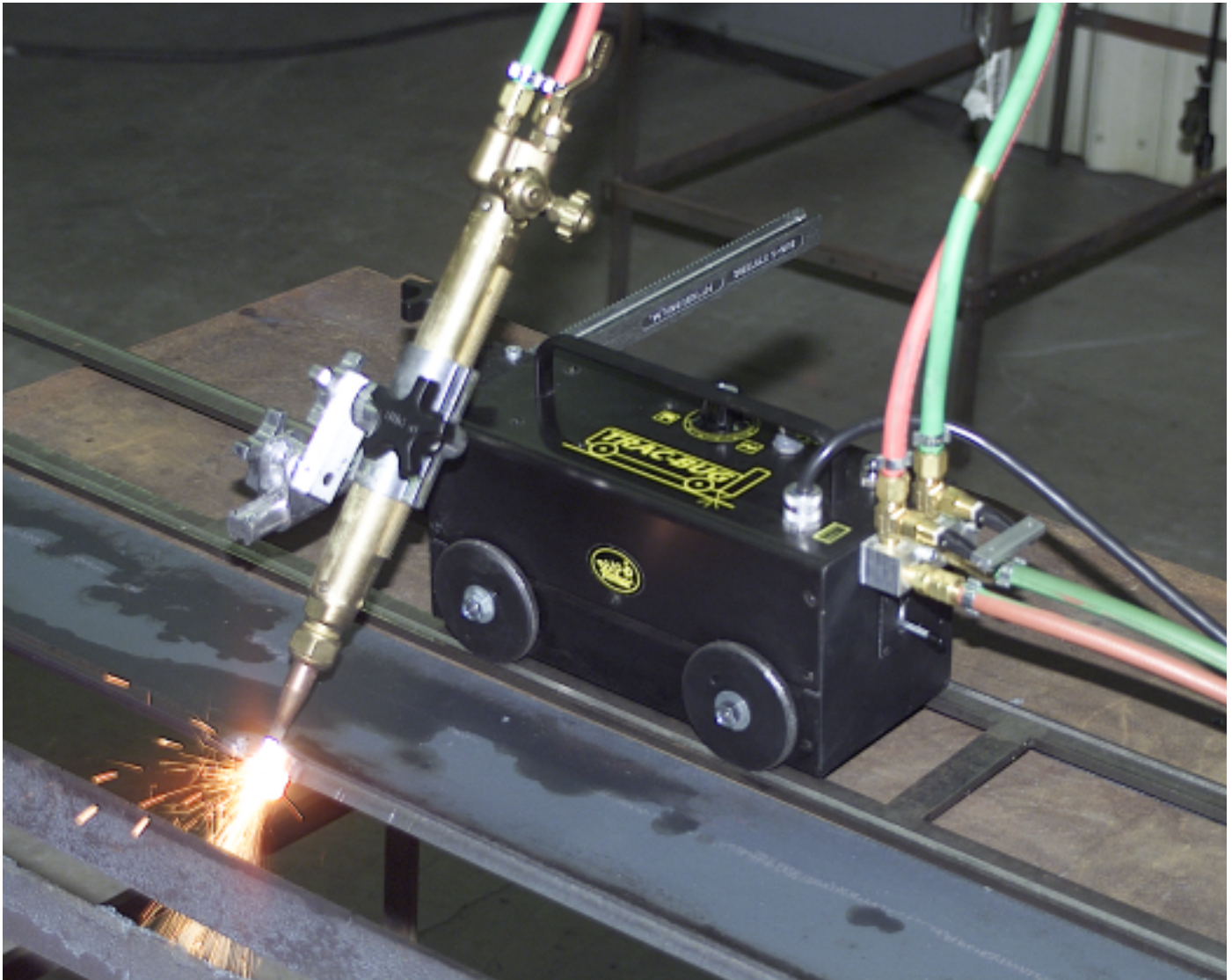
Affordable automation that increases production and improves quality.



Trac-Bug

Straight Line Track Burning Machine.

Produce machined quality cuts and bevels with Oxy-Fuel or Plasma.



The **Trac-Bug** is a compact friction drive cutting machine that will ride on any standard 6" (152 mm) V-grooved track. A solid-state variable speed control allows the Trac-Bug to travel and carry a torch at precise speeds producing a machined quality cut or bevel. Plate cutting and welding preparation can now be done quickly and with a high degree of precision. Quality bevels produced with the Trac-Bug reduce fit-up and grinding time and lay a foundation for a stronger weld.



BUG-O SYSTEMS

A DIVISION OF WELD TOOLING CORPORATION

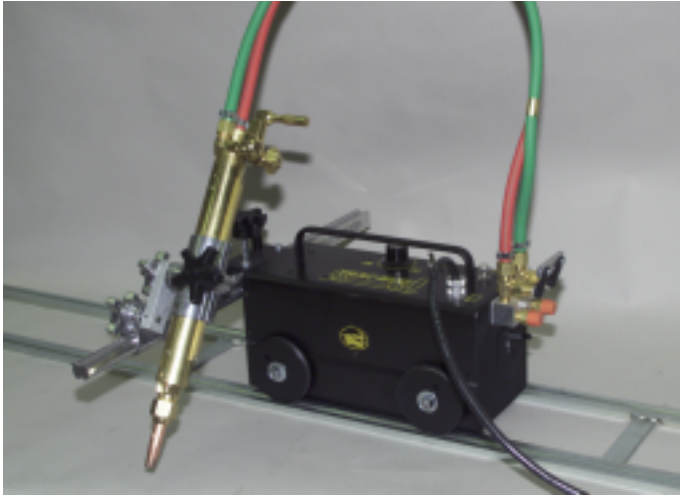


3001 WEST CARSON STREET PITTSBURGH, PENNSYLVANIA USA 15204-1899
PHONE: 1-800-245-3186 <http://www.bugo.com> TELEFAX: 1-412-331-0383



Trac-Bug

The Trac-Bug is available in two standard configurations, for Oxy-Fuel cutting TRB-1000 and for Plasma Cutting TRB-1500. Each version is equipped with a 22-7/8" (581 mm) geared rack with 1-3/8" (47.6 mm) diameter machine torch holder that will accommodate a 32 pitch rack.



TRB-1000 Trac-Bug Oxy-Fuel*

Includes a GOF-3025 quick action manifold and a CIR-1010-3, 32" twin hose assembly.

TRB-1500 Trac-Bug Plasma*

Includes Bug-5485 plasma contactor and cable support.

*Does not include track.

Technical Specifications:

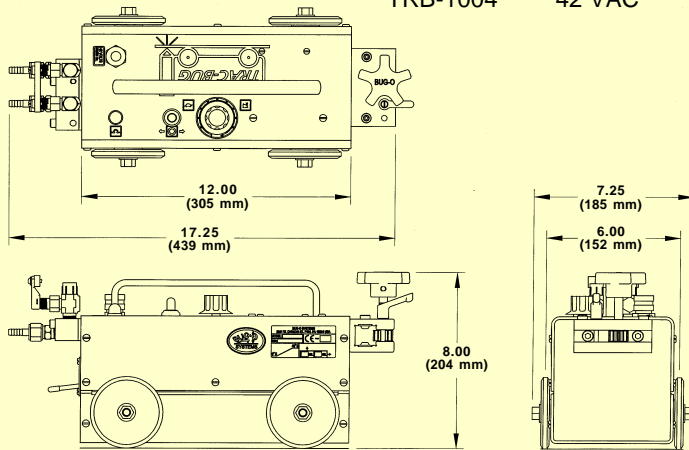
Travel Speed: 4-72 ipm (100-1800 mm/min)

Net Weight: 33 lbs. (15 kg)

Shipping Weight: 38 lbs. (17 kg)

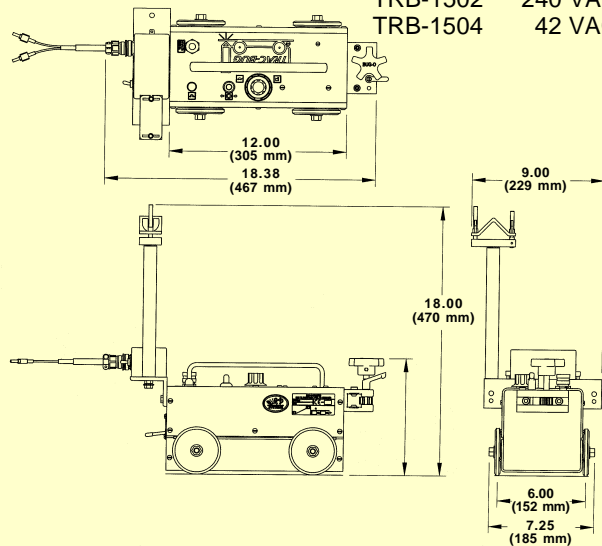
Trac-Bug Oxy-Fuel

TRB-1000	110 VAC
TRB-1002	240 VAC
TRB-1004	42 VAC



Trac-Bug Plasma

TRB-1500	110 VAC
TRB-1502	240 VAC
TRB-1504	42 VAC



TRB-1250 72" (183 cm) Track.

